

● Crystal Resonator (晶体谐振器) – SMD Type (表贴型)

● JPS-Series (Ceramic SMD Crystal) JPS陶瓷表贴晶体系列



● Applications 用途:

Cellular phone, Codeless phone, PHS, GPS, Bluetooth, Wireless LAN, DSC, Pager, TCXO, etc. 移动电话, 无绳电话, 小灵通手机, 卫星定位导航, 蓝牙, 数码相机, 无线网卡, 传呼机, 温补振荡器, 等等。

● Features 特征:

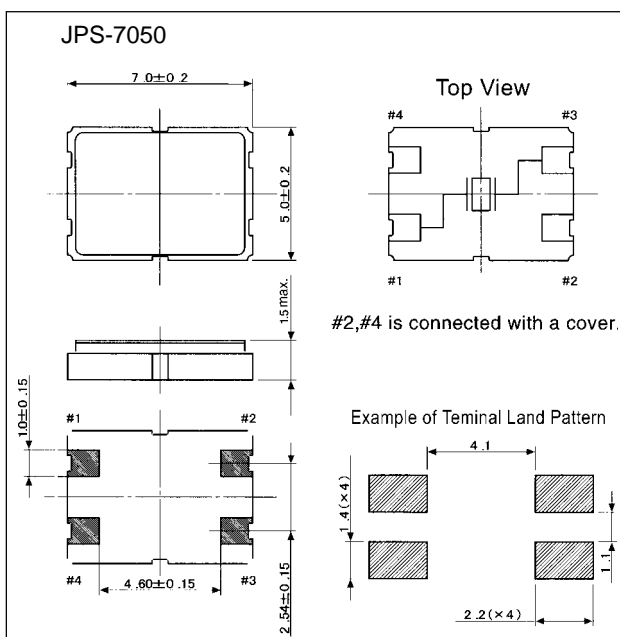
- A version of leadless type surface mount crystal unit. 无引线表面贴装晶体。
- A highly reliable Ceramic with seam sealed package. 采用高可靠的陶瓷滚边焊封装。
- Be assure high frequency stability & excellent solderability. 确保高频率稳定性及良好的焊接性。

● Typical specifications 规格参数

Type	型号	JPS-7050	JPS-6035	JPS-5032	JPS-4025	JPS-3225
Frequency range(Fund.)(基频)	频率范围	6.0~40.0	10.0~40.0	12.0~40.0	13.0~40.0	16.0~40.0
Frequency range(3rd O.T.)(3泛音)	频率范围	30.0~125.0	(MHz)	(MHz)	(MHz)	(MHz)
Vibration mode	振荡模式	AT cut				
Frequency tolerance(at +25℃)	调整频差	$\pm 10, \pm 20, \pm 30 \times 10^{-6}$				
Frequency stability	温度频差	$\pm 10, \pm 15 \times 10^{-6}$, See Table1 (见表1)				
Operating temperature range	工作温度	-10~+60℃, -30~+85℃, See Table1 (见表1)				
Equivalent series resistance	等效电阻	See Table2 (见表2)				
Load capacitance	负载电容	series, 9pF, 10pF, 12pF, 16pF, 20pF, 30pF, etc.				
Shunt capacitance	静电容	5pF max.				
Level of drive	激励功率	10μW(100μW max.)				
Aging	老化率	$\pm 1, \pm 3$ ppm/year				
Storage temperature range	储存温度	-55~+125℃				

• Please consult for other specifications. (若有其它规格需求请告知)

● Outline Dimensions [Unit: mm] 外形尺寸



● Table1: Frequency stability (ref. to 25℃) 频率稳定性

O.P Temp.	± 2.5ppm	± 5ppm	± 10ppm	± 15ppm	± 30ppm
0~+50℃	●	●	●	●	●
-10~+60℃		●	●	●	●
-20~+70℃			●	●	●
-40~+85℃				●	●

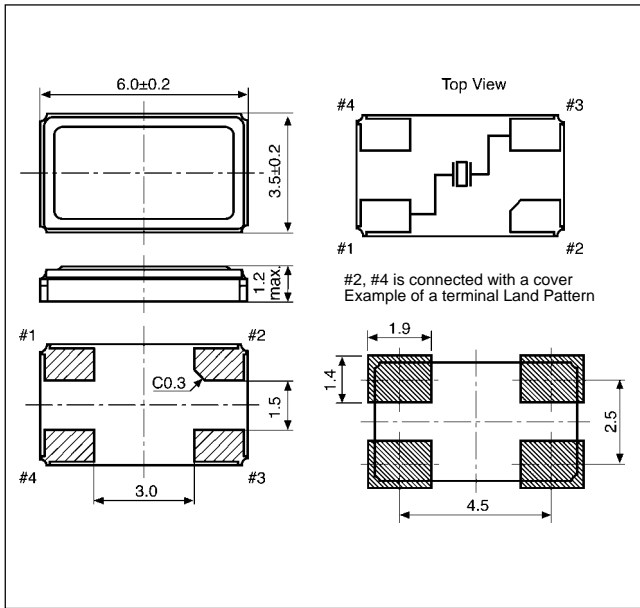
● Table2: Equivalent series resistance (ESR) 等效电阻 (Ω)

频率 Frequency MHz	JPS-7050	6035	5032	4025	3225
6.0~9.9 Fund.基频	60				
10.0~11.9 Fund.基频	40	80			
12.0~14.9 Fund.基频	40	60	60	80	
15.0~25.0 Fund.基频	30	40	40	80	100/80
26.0~40.0 Fund.基频	30	30	30	60	80/60
30~125 3rd.O.T.泛音	80				

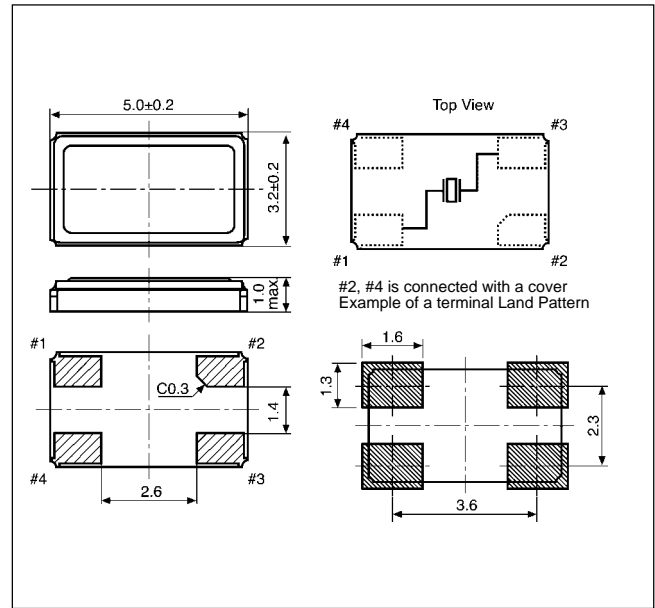
● **Crystal Resonator (晶体谐振器) – SMD Type (表贴型)**

● **Outline Dimensions [Unit: mm] 外形尺寸**

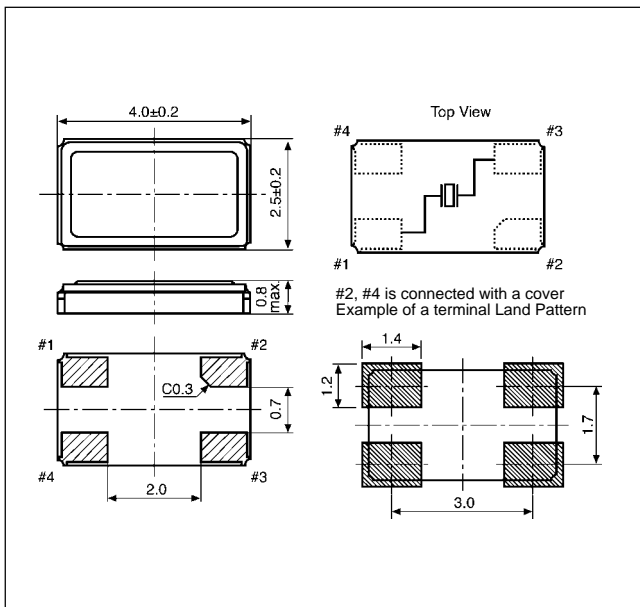
JPS-6035



JPS-5032



JPS-4025



(NEW) JPS-3225 (新型)

