

## ● Crystal Resonator (晶体谐振器) – Leded Type (引线型)

### ● S-39 S-38 S-26



#### ● Applications 用途:

Computer clocks, Video & Audio equipment, pager, Miniature sets.  
电脑时基, 视频及音频设备, 传呼机, 小型机件等等。

#### ● Features 特征:

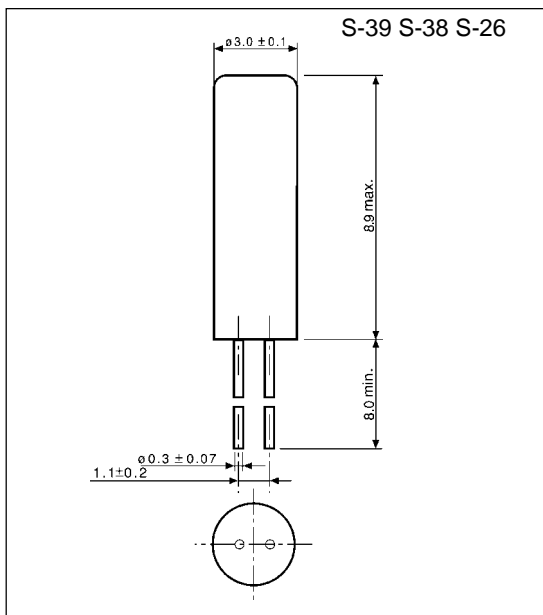
- A cylinder-shaped package. 柱状封装。
- Suitable for high-density mounting. 适合高密度组装。
- Low cost & high stability. 低价且高稳定性

#### ● Typical specifications 规格参数

Type	型号	S-39 S-38 S-26		
Frequency range	频率范围	3.579~40MHz	30~40MHz	30~90MHz
Cut / Vibration mode	切型 / 振荡	(AT) Fundamental(基频)	(BT) Fundamental(基频)	(AT) 3rd Overtone(三次泛音)
Frequency tolerance(at +25℃)	调整频差	± 30ppm, ± 50ppm		
Frequency stability	温度频差	± 50ppm	± 100ppm	± 50ppm
Operating temperature range	工作温度	-10~+60℃		
Equivalent series resistance	等效电阻	See Table1(见表 1)		
Load capacitance	负载电容	Series, 10pF, 12pF, 16pF, 20pF, 30pF, etc.		
Shunt capacitance	静电容	5pF max.		
Level of drive	激励功率	10μW(100μW max.)		
Aging	老化率	± 3, ± 5ppm/year		
Storage temperature range	储存温度	-40~+90℃		

- Please consult for other specifications. (若有其它规格需求请告知)

#### ● Outline Dimensions [Unit: mm] 外形尺寸



#### ● Table1: Equivalent series resistance (ESR) 等效电阻

Fundamental		
Cut	Frequency (MHz)	ESR(Ω)
AT	3.579~3.999	200
	4.000~4.499	150
	4.500~4.999	120
	5.000~5.999	100
	6.000~8.999	80
	9.000~9.999	60
	10.000~12.999	50
	13.000~18.999	35
BT	19.000~40.000	25
	30.000~40.000	25
3rd Over tone		
Cut	Frequency (MHz)	ESR(Ω)
AT	30.000~34.999	80
	35.000~39.999	70
	40.000~44.999	65
	45.000~49.999	60
	50.000~90.000	80